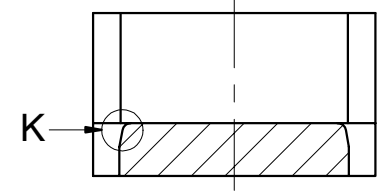
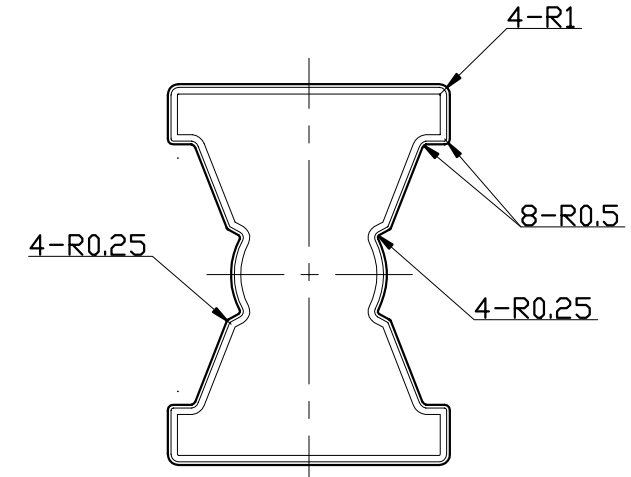
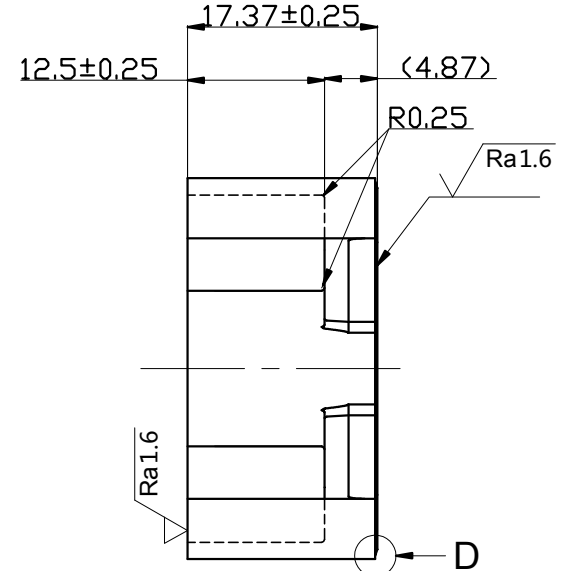
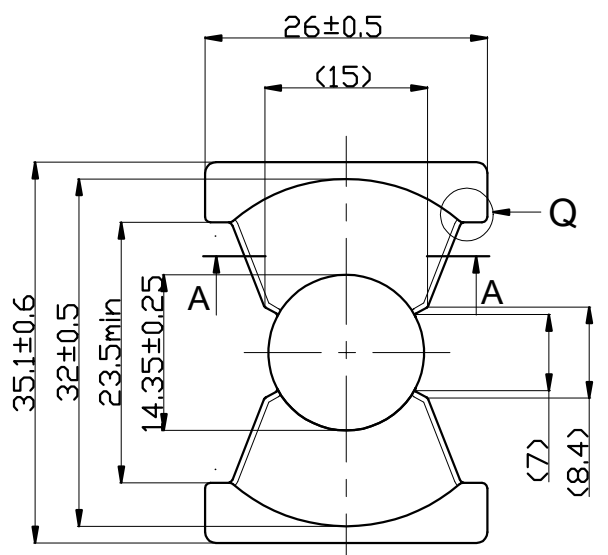
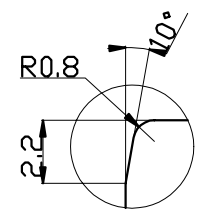


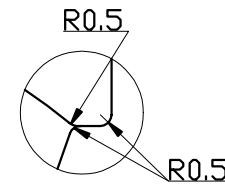
REVISION HISTORY			
Rev	DESCRIPTION	DATE	APPROVED
①			
②			
③			



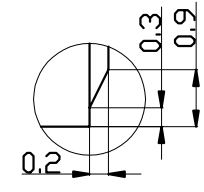
Section A-A



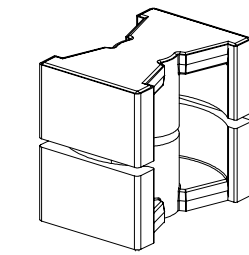
Detail K



Detail Q



Detail D



	Scale	Material	Customer Part number	
	1.5 : 1		Product Name	
Unit:	Standard tolerances	PQ-35-35		
mm	±0.2	Approved by	Created by	Document type
		Y.Higuchi	Z.zhang	Production drawing
Hitachi Metals (Hong kong) Ltd. Panyu Factory			Rev	Drawing No.
			00	PY180403M02
			Date of issue	Sheet
			Apr 03 2018	1/1